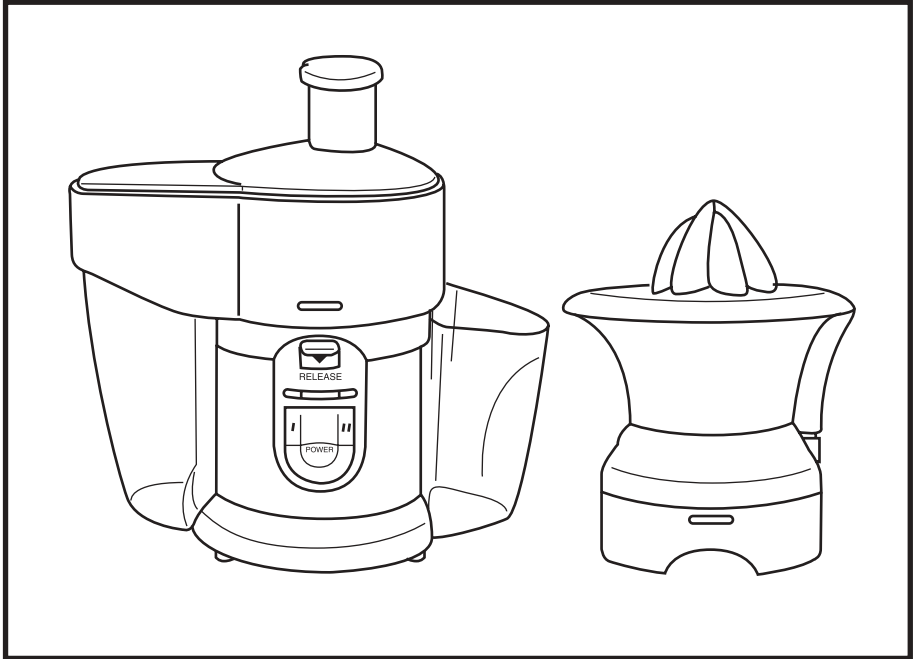


# Russell Hobbs



## Classic White Juice Centre

Model No. 9919

Instructions and Guarantee

Read these instructions before using your Classic White Juice Centre and keep them in a safe place for future reference. If you pass the gadget on to anyone else, you should also pass on the instructions.

Remove all packaging before using the product, but keep the packaging until you are satisfied that the product is operating correctly.

You may find a plastic label on the outside of the product, listing its features. This must be peeled off before use.

### **IMPORTANT SAFEGUARDS**

When using electrical appliances, basic safety precautions should always be followed, including the following:

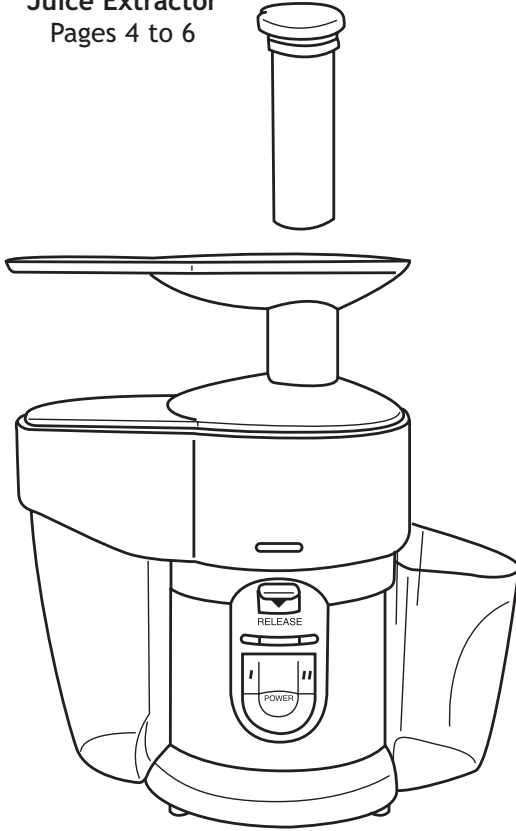
1. In common with other portable electrical appliances this product must never be put in water, used in a bathroom or used near any source of water. Do not use outdoors.
2. Switch off (power switch out) and unplug from the power socket before dismantling or cleaning.
3. Use the pusher to push food down the chute, do not use fingers, cutlery, or anything else.
4. Switch off (power switch out) and wait until the grating sieve has come to a complete stop before removing the cover from the juice extractor.
5. The motor unit incorporates a microswitch which will prevent the motor from operating unless the juice extractor cover or the citrus press gearbox housing is fitted. Do not attempt to use the appliance without one of these in place.
6. Do not use the juice extractor if the grating sieve is damaged.
7. Do not allow children to use the juice extractor or citrus press without constant supervision by a responsible adult.
8. Position the motor unit on a dry, firm, level surface, close to a power socket which is out of reach of children.
9. Route the mains lead so that it does not overhang a working surface, and cannot be tripped over or caught accidentally. Push any excess mains lead into the cord storage area in the back of the motor unit.
10. Close supervision is necessary when any appliance is used near children.
11. Do not let the mains lead touch any hot surfaces.
12. Do not wrap the mains lead around the juice extractor, use the cord storage area in the back of the motor unit.
13. Store the juice centre away from direct sunlight and fluorescent light, where possible, as prolonged exposure to ultraviolet may discolour the plastic casings.
14. Do not let the juice container overflow. If liquid gets under the unit, it may be sucked into the motor, damaging it.
15. Do not run the motor continuously for more than 2 minutes, otherwise it may overheat. After 2 minutes it must be switched off for at least 2 minutes before running it again, to allow it to recover.
16. To avoid overheating, do not run the juice extractor empty, switch it off.
17. Do not operate this appliance after it malfunctions or if the mains lead or plug is damaged. There are no user-serviceable parts. The appliance must be returned for repair or replacement in order to avoid hazard (see "AFTER SALES SERVICE").



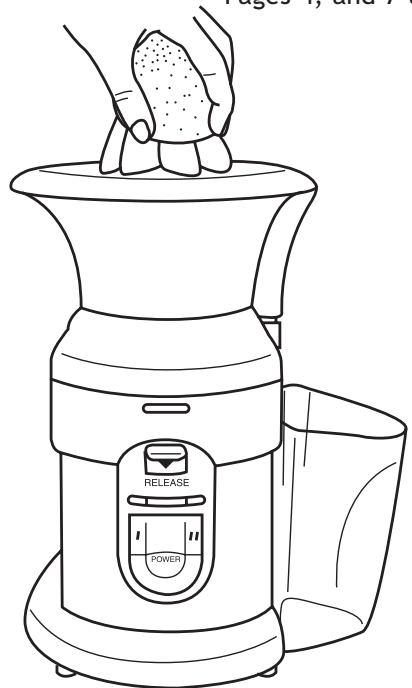
**DANGER**  
**Electric**  
**Shock Risk**

**Household use only**

**Juice Extractor**  
Pages 4 to 6



**Citrus Press**  
Pages 4, and 7 to 9



## THE CONTROLS

### Accessory lock

Pressing the accessory lock down (towards RELEASE) retracts the locking pins at the front and rear of the motor unit, to allow the juice extractor or citrus press to be fitted or removed.

The motor will not function unless one of the accessories (juice extractor or citrus press) is attached to the motor unit.

### Speed switch

This controls the motor speed. Press and release the left side (I) of the speed switch for low speed, press and release the right side (II) for high speed.

When using the citrus press, set the switch to low speed (I).

When using the juice extractor, set the switch to low speed (I) for soft fruits and vegetables, and berries. Set it to high speed (II) for hard fruits and vegetables.

Set the speed before operating the power switch.

### Power switch

This switches the motor on and off. It is a "Press-on/Press-off" switch. In the "Off" position, it comes out flush with the surface of the speed switch, in the "On" position, it is depressed.

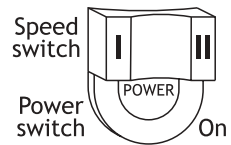
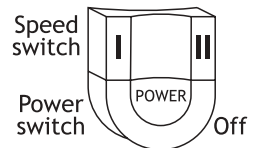
To switch on, first set the operating speed with the speed switch, then press and release the power switch. The switch will remain in the depressed position, one of the indicator lights will come on, depending on how you set the speed switch, and the motor will start.

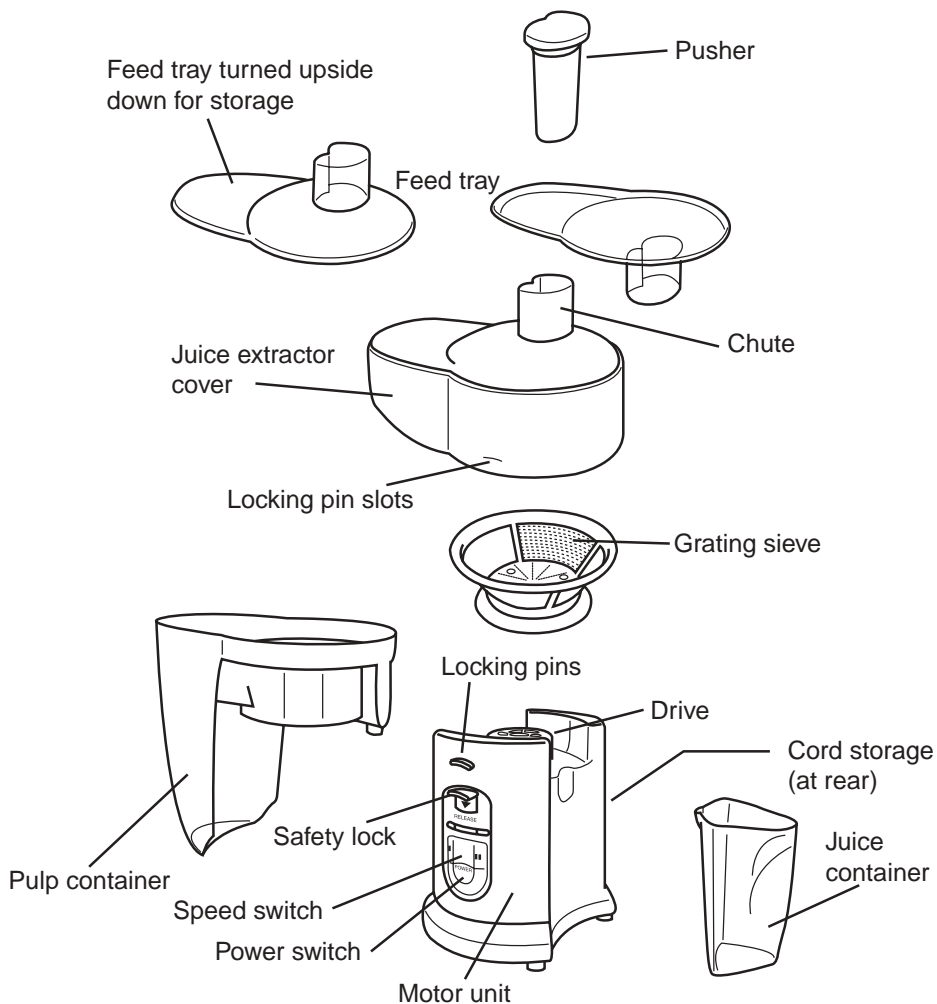
To switch off, press and release the power switch again. The switch will pop out, the indicator light will go out, and the motor will stop.

## THE JUICE EXTRACTOR

### Assembly

1. Switch off (power switch out) and unplug the motor unit from the power socket.
2. With the pulp container to the left of the motor unit, lower the separator/pulp container on to the motor unit so that it sits over the drive wheel.
3. Place the grating sieve inside the separator, and turn it slightly, to allow it to engage with the drive wheel.
4. Press the safety lock down towards "RELEASE", and hold it down.
5. Lower the cover on top of the separator.
6. Let go of the safety lock. The locking pins will engage in the slots in the front and back of the cover, to secure it.
7. Place the juice container under the spout.
8. Turn the feed tray over and fit it on top of the chute.
9. Place the pusher in the chute.





## Preparation

Prepare the fruit or vegetables before bringing them to the juice extractor, and before plugging the motor unit into the power socket.

Use only good quality fruit and vegetables.

As a general rule, if you would not normally eat the fruit or vegetable raw, you should not juice it.

Use only fresh, ripe fruit and vegetables. Soft vegetables or over-ripe fruit may make the juice thick and cloudy, and may affect the taste.

Wash the fruit or vegetables to be juiced.

Wipe or shake off excess water, to avoid diluting the juice.

Kiwi fruit should be peeled, and the skin discarded.

Never use onions or garlic, as the taste is almost impossible to remove from the juice extractor.

Remove and discard stalks, stems, leaves, fern, etc. Top and tail carrots, turnips, and the like, core apples, pears, etc. Peel oranges, lemons, and any other fruit you would normally peel.

Seeds, pips and stones should be removed and discarded. Orange and lemon pips may be ignored, they will be ejected with the pulp. Tiny seeds which are normally eaten such as those found in kiwi fruit, raspberries and strawberries may be ignored. Cut out and discard bruises and blemishes as these may affect the taste of the juice. Cut the fruit or vegetables down to a size which will pass through the chute without forcing – e.g. carrots 35mm diameter x 80mm long (1 inch x 3 inches).

### **Using the Juice Extractor**

1. Dry your hands.
2. Check that the juice extractor is properly assembled and switched off (power switch out).
3. Place the juice container under the spout.
4. Plug the motor unit into the power socket. If necessary, switch the socket on.
5. Remove the pusher from the chute.
6. Remove the feed tray, turn it upside down, then replace it.
7. Replace the pusher in the chute.
8. Turn the speed switch to I or II, depending on the type of fruit/vegetables being juiced.
9. Press and release the power switch to start the motor unit.
10. Place a portion of the cut fruit/vegetables on the feed tray.
11. Lift the pusher from the chute, and use it to push the fruit/vegetables into the chute.
12. Place the pusher in the chute. Its weight should be sufficient to ensure that all the fruit/vegetables move down the chute. If the fruit/vegetables are very hard, you may need to apply gentle pressure to the pusher.
13. Repeat points 10 to 12 above, until the fruit/vegetables are finished.
14. Watch the levels in the juice and pulp containers. Do not let them overflow.
15. Press and release the power switch, to switch the motor unit off.

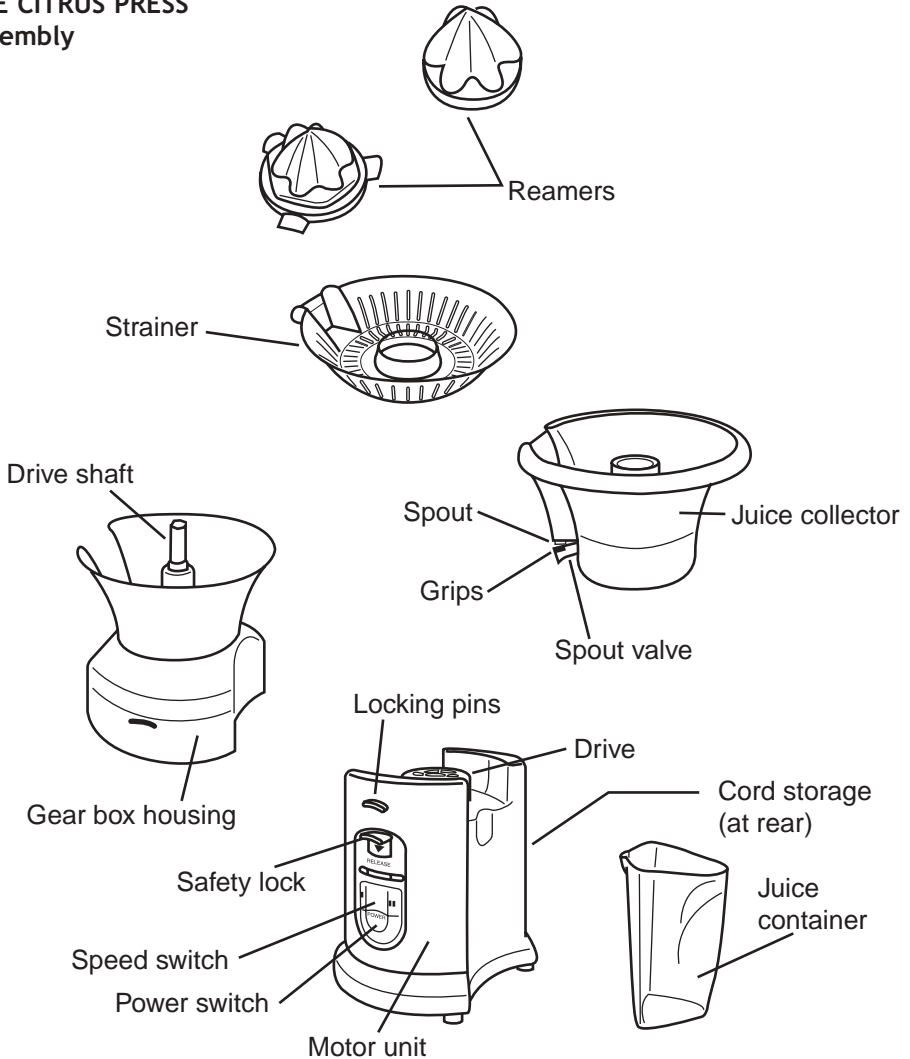
Do not allow children to use the appliance without constant adult supervision.

Do not use the appliance continuously for more than 2 minutes. After 2 minutes use, let it cool down for 2 minutes before using it again. You will probably never need to use it for anything like 2 minutes. With most fruit/vegetables, the juice container will fill up in less than 2 minutes. Do not let the motor run if you are not using it – switch it off.

### **Disassembly**

1. Switch off (power switch out) and unplug the motor unit from the power socket.
2. Lift the pusher from the chute.
3. Lift the feed tray from the top of the cover.
4. Press the safety lock down towards "RELEASE", and hold it down.
5. Lift the cover straight up until it clears the separator.
6. Let go of the safety lock.
7. Lift the separator/pulp container off, then turn it over to tip out the grating sieve.

# THE CITRUS PRESS Assembly



1. Switch off and unplug the drive unit, then disassemble the juice extractor.
2. Press the safety lock down towards "RELEASE", and hold it down.
3. Hold the gearbox housing with the cut-out to the front, then lower it on to the motor unit so that it sits over the drive wheel.
4. Let go of the safety lock. The locking pins will engage in the slots in the front and back of the housing, to secure it.
5. Lower the juice collector on to the gearbox housing.
6. Press down on the grips at either side of the spout, and pull the spout down about 6mm ( $\frac{3}{8}$ "), to open the spout valve.
7. Place the juice container under the spout.

8. Place the strainer inside the juice collector.
9. Slide the small reamer on to the end of the drive shaft, and down on to the strainer.
10. If you intend to juice large fruit (grapefruit, shaddock, pomelo, ugli, etc.), you may wish to place the large reamer on top of it.

### **Preparation**

Use only good quality, fresh, ripe, citrus fruit.

Wipe the fruit to remove any dirt, dust, etc., which may otherwise fall into the juice. Hold the fruit with the stalk uppermost, then turn it on its side and cut it in half with a sharp knife, thus cutting through the centres of the segments.

### **Using the Citrus Press**

1. Dry your hands.
2. Check that the citrus press is properly assembled and switched off (power switch out).
3. Place the juice container under the spout, and check that the spout valve is open.
4. Plug the motor unit into the power socket. If necessary, switch the socket on.
5. Turn the speed switch to I – do not use the high speed setting with the citrus press.
6. Press and release the power switch to start the motor unit.
7. The reamer will not start to turn until it is pressed down, into the gearbox.
8. Using one half-fruit at a time, place the cut (fleshy) side on top of the reamer and press it down.
9. The reamer will turn anti-clockwise, pressing the juice out of the half-fruit.
10. Move the half-fruit around, to ensure that the reamer reaches all of the flesh.
11. Repeat points 6 to 11 above, until the fruit is finished.
12. Press and release the power switch, to switch the motor unit off.
13. The arms on the bottom of the small reamer will ensure that the juice and flesh coming out of the fruit are swept into the juice container.
14. Keep an eye on the level in the juice container. Do not let it overflow.
15. If you need to empty the juice container before the fruit is finished, close the spout valve by pushing it up, to prevent juice from dripping on to the work surface. Remember to open it again before starting over.

Do not allow children to use the appliance without constant adult supervision.

Do not use the appliance continuously for more than 2 minutes. After 2 minutes use, let it cool down for 2 minutes before using it again.

Do not let the motor run if you are not using it – switch it off.



## **CARE AND CLEANING**

Switch off and unplug from the power socket before carrying out any cleaning operation.

Disassemble the appliance.

Wipe the motor unit and the citrus press gearbox housing with a damp cloth. Do not allow liquid to penetrate these, as this will damage them.

Wash the other components in hand-hot, soapy water.

We recommend using a brush to clean the grating sieve, and a bottle brush to reach the nooks and crannies within the cover and separator.

Take care when handling the grating sieve.

Do not put any part of the appliance in a dishwasher.

Do not immerse the motor unit or the citrus press gearbox in or any other liquid.

Do not use harsh or abrasive cleaning agents or solvents.

## CONNECTION TO THE MAINS SUPPLY

Check that the voltage marked on the product corresponds with your supply voltage.

This product is fitted with a 13A plug complying with BS1363. If this plug is unsuitable or needs to be replaced, please note the following:

This appliance is fitted with two-core flex and, as it is double insulated, does not require an earth.

Important: The wires in the mains lead are coloured in accordance with the following code:

BLUE - NEUTRAL

BROWN - LIVE

FOR UK USE ONLY - Plug fitting details  
(where applicable):

As the colours of the wires in the mains lead of this appliance may not correspond with the coloured markings identifying the terminals in your plug, proceed as follows:

The BLUE wire is the NEUTRAL and must be connected to the terminal which is marked with the letter N or coloured BLACK.

The BROWN wire is the LIVE wire and must be connected to the terminal which is marked with the letter L or coloured RED. On no account must either the BROWN or the BLUE wire be connected to the EARTH terminal.

Always ensure that the plug cord grip is fastened correctly.

If a 13A (BS1363) fused plug is used it must be fitted with a 3A fuse conforming to BS1362 and be ASTA approved.

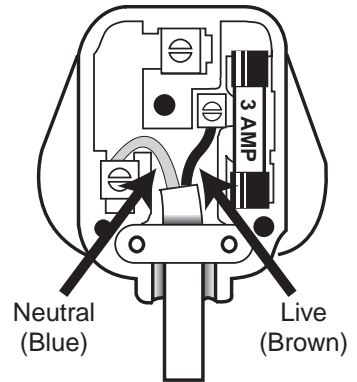
If in doubt consult a qualified electrician who will be pleased to do this for you.

This product conforms to EC Directive 92/31/EEC with respect to Electromagnetic Compatibility.

## NON-REWIREABLE MAINS PLUG

If your appliance is supplied with a non-rewireable plug fitted to the mains lead you will find that it incorporates a fuse, the value of which is indicated either on the base of the plug or on the fuse carrier. Should the fuse need replacing, you must use an ASTA approved one (conforming to BS1362) of the same rating. If the fuse cover is lost the plug must not be used until a replacement is obtained from an electrical supplier.

If you need to remove the plug - cut it from the mains lead and immediately dispose of it. Never attempt to re-use this plug or insert it into a socket outlet as there is a very great risk of an electric shock.



## AFTER SALES SERVICE

There are no user serviceable parts in this appliance. If the appliance is not operating correctly, please check that:

1. You have followed the instructions correctly.
2. The plug fuse has not blown.
3. The main supply fuse has not blown/circuit breaker has not tripped.

If the appliance still does not work:

In the first instance, consult your retailer for possible repair or replacement.

If your retailer fails to solve your problem, and you need to return the appliance to us, proceed as follows:

1. Pack it carefully.
2. Enclose your name, address, and daytime telephone number.
3. Give the reason why you are returning it.
4. If within the guarantee period, please state where and when purchased, and include proof of purchase (e.g. till receipt).
5. For service in the U.K. send it to our Customer Service Department, at the address at the end of this leaflet.
6. We will let you have an estimated cost for inspection and/or repair.

## SPARE PARTS

For spare parts, phone our Customer Service Department on 0161-947-3111.

They will give you up-to-date prices, inclusive of VAT, postage and packaging.

You may then:

Order your spares over the telephone using MASTERCARD or VISA. Please be ready to give the Model No. (marked on the product's rating label), your name and address, your credit card number and its expiry date (shown on the card) and the part number(s) of the item(s) required from the list below.

Or Fill in the order form printed below (or a copy), and send it, with a cheque or postal order payable to PIFCO Ltd, to our Customer Service Department at the address at the end of this leaflet.



-----  
Your Name: \_\_\_\_\_

Your Address: \_\_\_\_\_

Post Code: \_\_\_\_\_

Part No.	Description	Quantity required
991970	Grating sieve	
991971	Pusher	
991972	Pulp container	
991973	Juice container	
991974	Feed tray	
991975	Strainer	
991976	Large reamer	
991977	Small reamer	

I enclose a cheque/postal order for £ ..... in full payment.

## **GUARANTEE**

This product is guaranteed for a period of one year from the date of purchase or hire purchase against mechanical and electrical defects. It is particularly important that the purchaser should carefully read the instructions provided, in order to get maximum use from this product.

This guarantee is only valid if the appliance is used solely for domestic purposes in accordance with the instructions and provided that it is not connected to an unsuitable electricity supply or dismantled or interfered with in any way or damaged through misuse. Under this guarantee we undertake to repair or replace free of charge any parts found to be defective.

Nothing in this guarantee or the instructions relating to the product excludes, restricts or otherwise affects your statutory rights.

In line with our policy of continuous product development we reserve the right to change the product, packaging and documentation specifications without notice.

Customer Service Department  
Pifco Ltd, Failsworth, Manchester M35 0HS England  
Telephone 0161-947-3111 Fax 0161-684-8712  
Leaflet No: 434-780